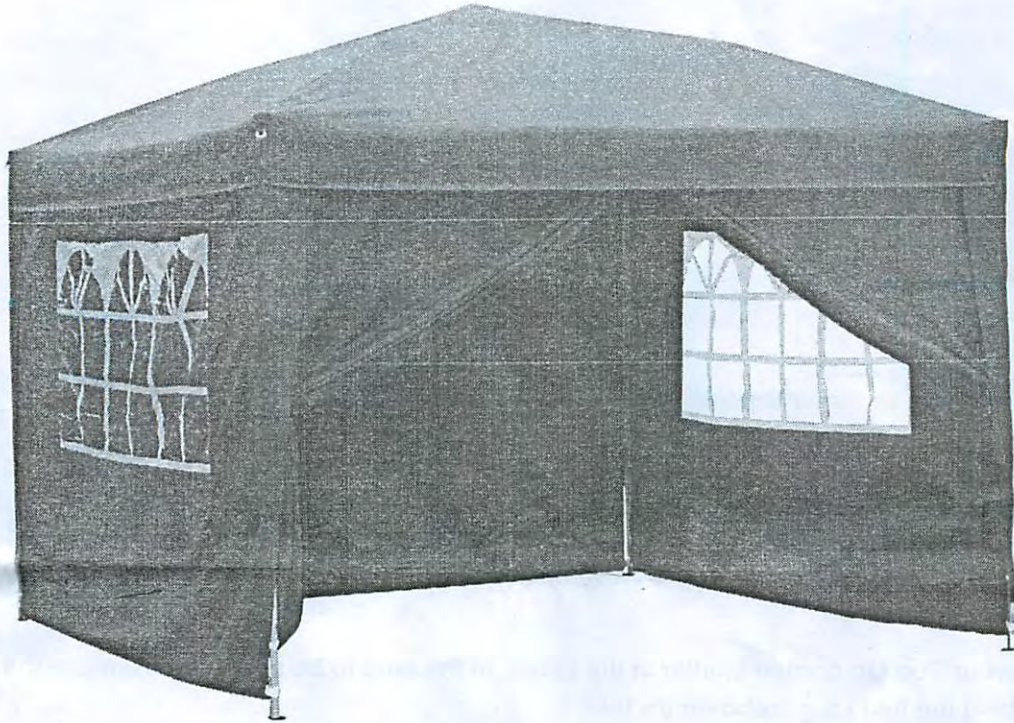


## 3M x 3M POP UP GARDEN SHELTER

### INSTRUCTIONS MANUAL



**WARNING:** This product is designed for Garden and Leisure activities. We have no control over the weather or ground conditions when this item is setup. Therefore it is the buyers responsibility to ensure that the erection and anchoring of this product is sufficient. As with all other products of this nature this item is designed as a temporary structure and should not be left up overnight when adverse weather conditions can cause significant damage. - Esc Europe Ltd cannot be held responsible for any damage incurred in this manner.

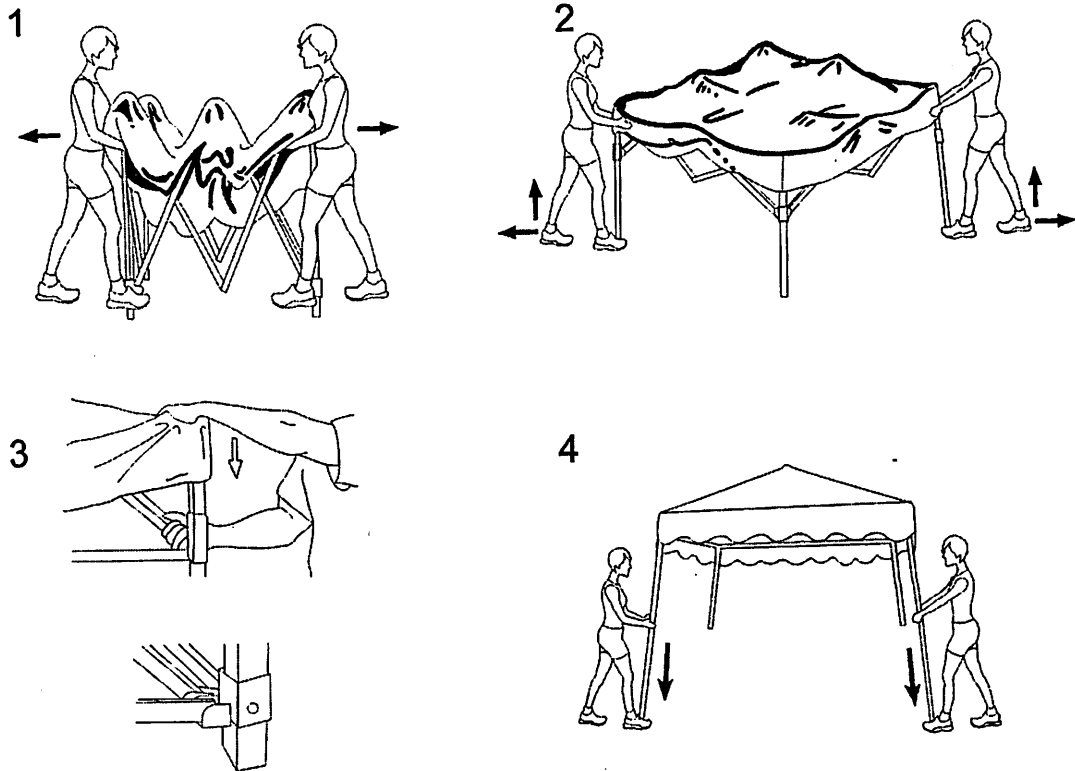
#### **Please Note:**

Your gazebo has been packed with the roof canopy and frame separate.

We advise that for the initial use, the frame should be erected without the cover to familiarise yourself with its operation.

The cover can then be placed over erected frame and secured; this can be left on the frame when collapsed and for all subsequent uses thereafter.

## OPEN GENTLY



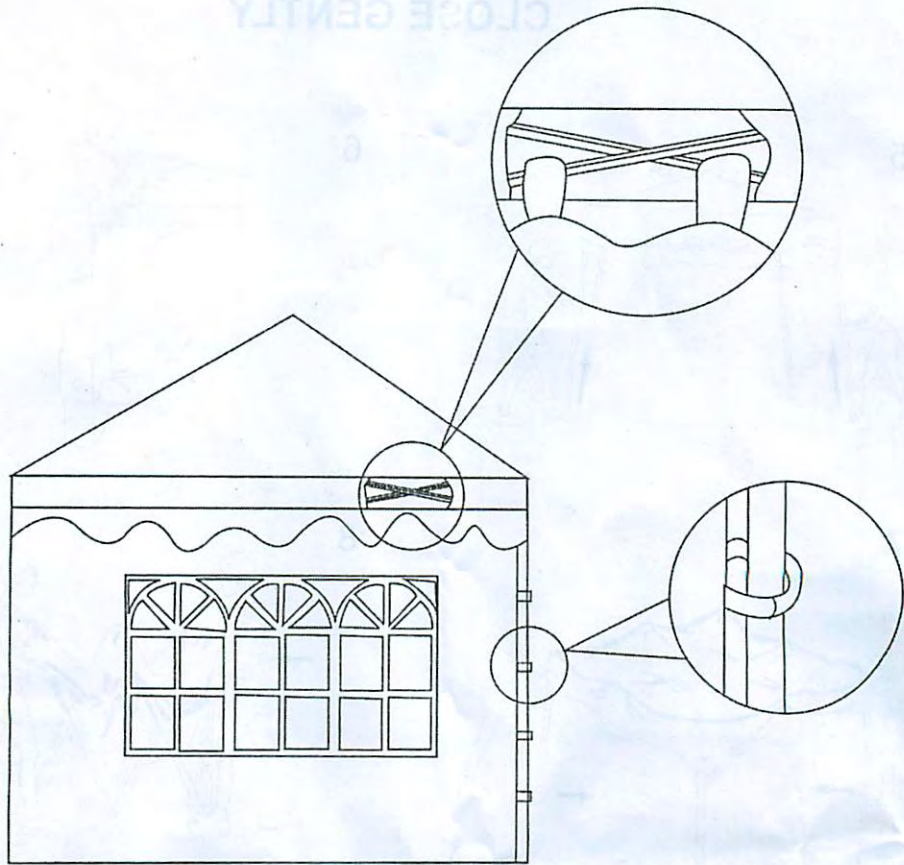
### HOW TO SET UP (GB)

Follow these instructions carefully to avoid pinching your hands or fingers in any of the moving parts as the frame opens and closes. To erect the Pop-Up garden shelter requires two people MINIMUM

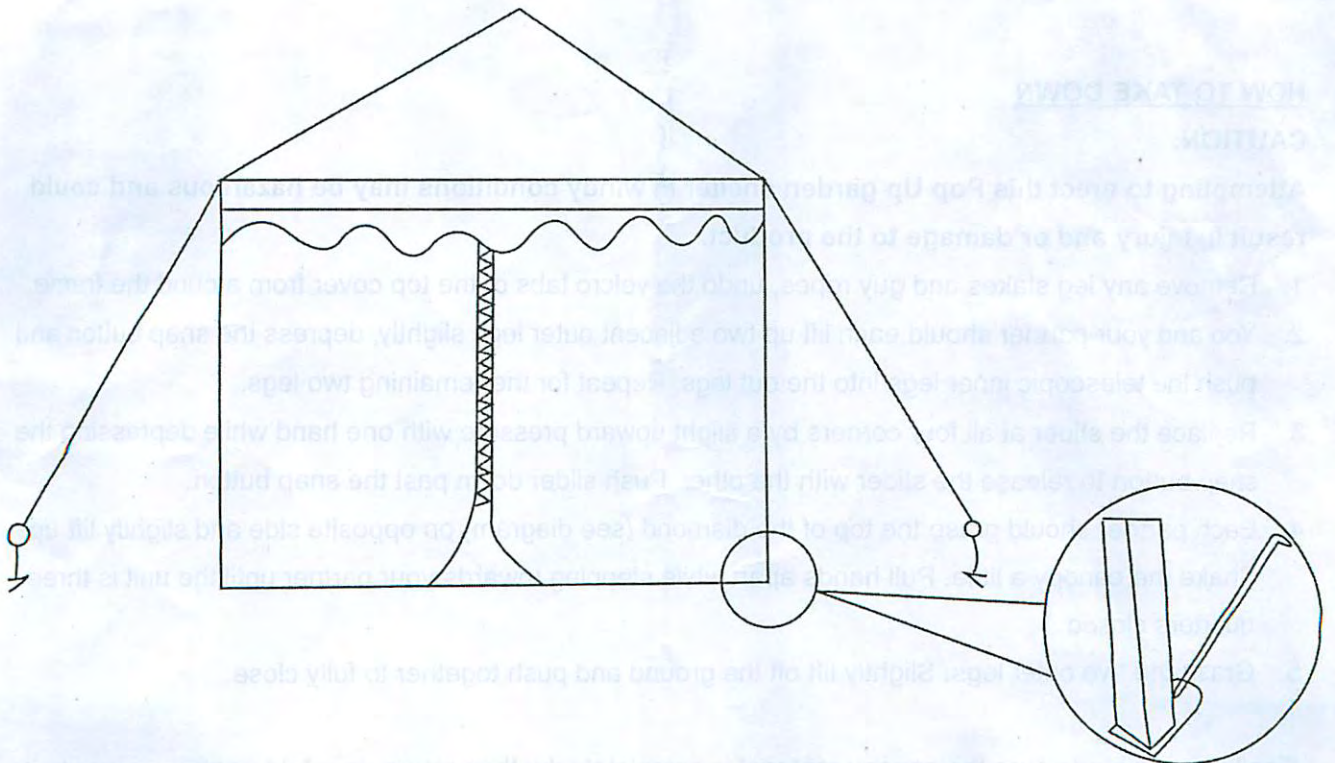
1. Place your Pop Up garden shelter in the center of the area to be sheltered. Remove the carry bag and stand the fold up gazebo on its feet.
2. **WITH PARTNER ON THE OPPOSITE SIDE, GRASP TWO OUTER LEGS, SLIGHTLY LIFT THE FRAME OFF THE GROUND AND TAKE A SMALL STEP BACKWARDS, PUSHING TOP AND BOTTOM OF THE DIAMOND FORMED BY SIDE SUPPORTS TOGETHER (SEE DIAGRAM 2&3). THEN MOVE TO THE OPPOSITE CORNER AND DO THE SAME, MOVE FROM ONE CORNER POLE TO THE OTHER TAKING A SMALL STEP BACKWARDS EACH TIME UNTIL GAZEBO IS ALMOST FULLY OPEN.**
3. Be careful not to pull backwards too hard as this will result in the side supports bending.
4. Engage the slider at each corner by pushing up with one hand while holding down the top of the leg with the other hand ( see diagram 3). A snap button will engage in the locating hole. Repeat this operation on the remaining three legs.
5. Place cover over erected frame. Attach the Velcro tabs, located on the underside of the top cover, around the frame struts.
6. You and your partner should each place a foot on the foot plate of the bottom of adjacent legs and lift up the leg, sliding the inner leg out until the snap button locks in the locating hole. Repeat this operation for the other two legs (See diagram 4).
7. Square up the Pop Up garden shelter.
8. Use the guy ropes attached to the ring at each corner of the roof cover and stakes, to secure your Pop Up garden shelter to the ground or just use the stakes through the hole in each leg foot.

The roof canopy has been fitted with 'storm drain' eyelets to help prevent water pooling up on the roof in extreme weather conditions - these should not be blocked.



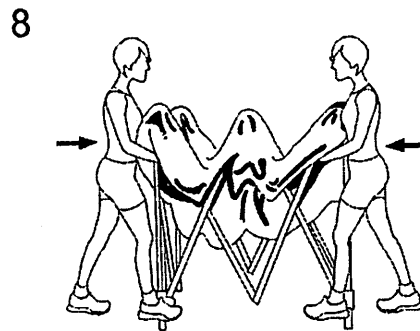
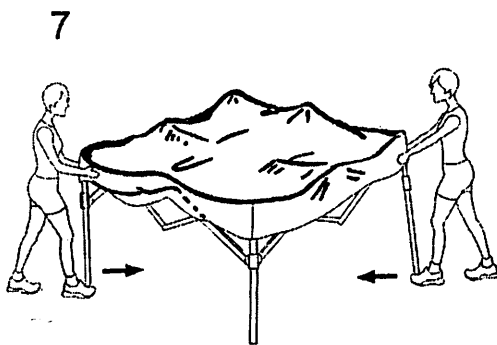
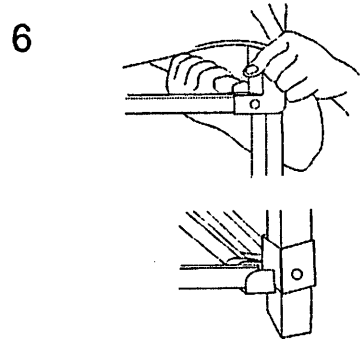
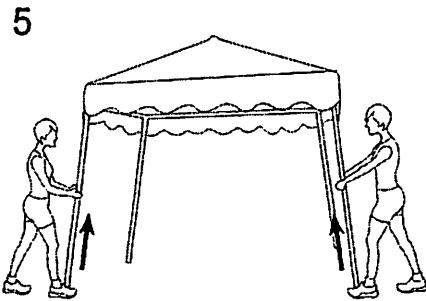


2 pc of removable side wall with clear church window.



2 pc of removable side wall with zipper.

## CLOSE GENTLY



### HOW TO TAKE DOWN

#### **CAUTION:**

**Attempting to erect this Pop Up garden shelter in windy conditions may be hazardous and could result in injury and or damage to the product.**

1. Remove any leg stakes and guy ropes, undo the velcro tabs of the top cover from around the frame.
2. You and your partner should each lift up two adjacent outer legs slightly, depress the snap button and push the telescopic inner legs into the out legs. Repeat for the remaining two legs.
3. Replace the slider at all four corners by a slight upward pressure with one hand while depressing the snap button to release the slider with the other. Push slider down past the snap button.
4. Each partner should grasp the top of the diamond (see diagram) on opposite side and slightly lift up. Shake the canopy a little. Pull hands apart while stepping towards your partner until the unit is three quarters closed.
5. Grasp the two outer legs. Slightly lift off the ground and push together to fully close.

Finally having made sure the canopy material is completely dry then return your fold up super cover to its storage bag.

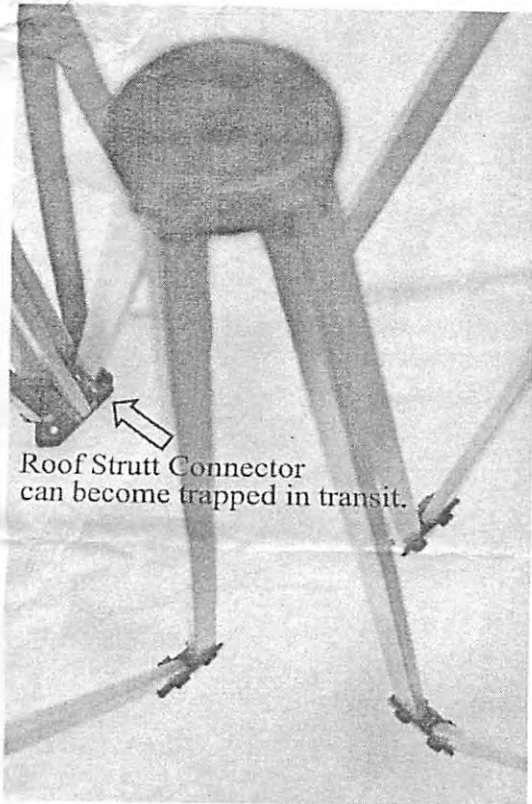
# \*\*\*\*\*WARNING\*\*\*\*\*

Settling of the frame can occur in transit, resulting in roof strutt becoming trapped.

Should you feel any resistance when erecting frame for first time, please DO NOT continue!

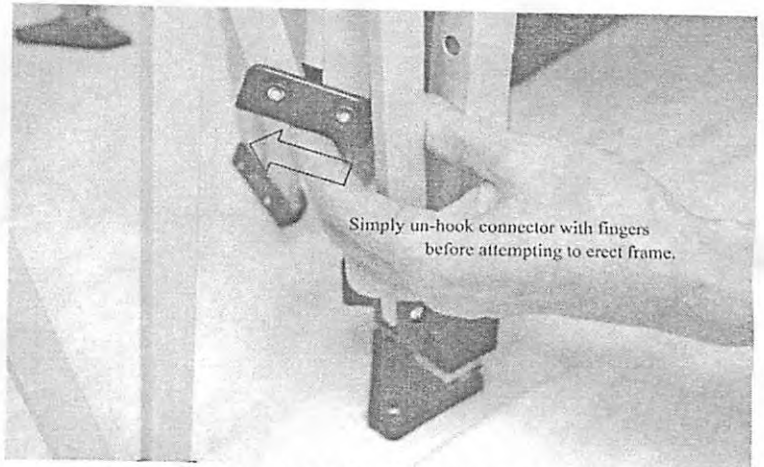
Please take time to examine frame for any trapped connectors and release where necessary

We have included photos below showing problem that may occur.



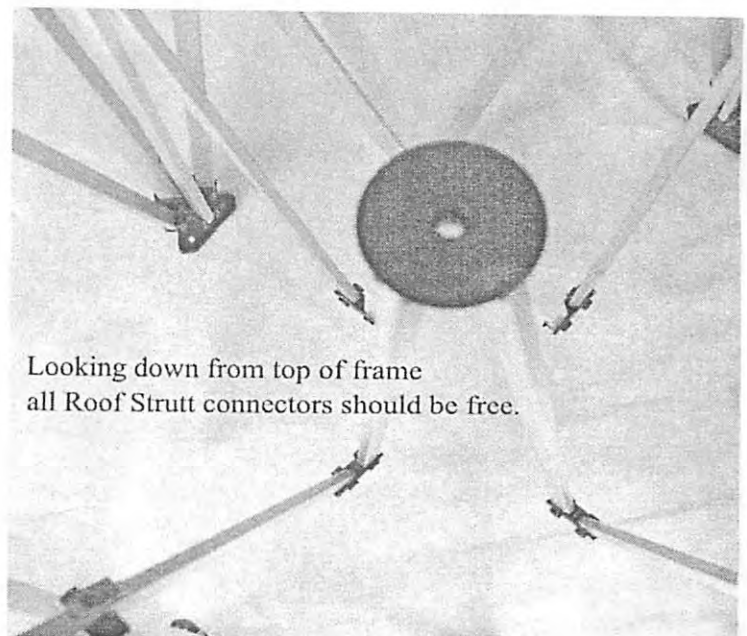
Roof Strutt Connector can become trapped in transit.

**Roof Strutt Trapped**



Simply un-hook connector with fingers before attempting to erect frame.

**Stop and simply un-hook trapped connector**



Looking down from top of frame all Roof Strutt connectors should be free.

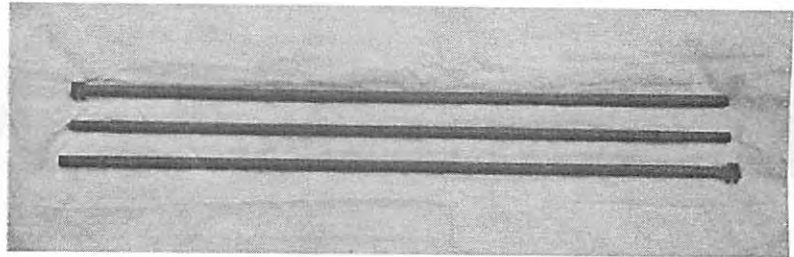
**All connectors should be free**

Thank you for your purchase, we hope you enjoy your Gazebo.

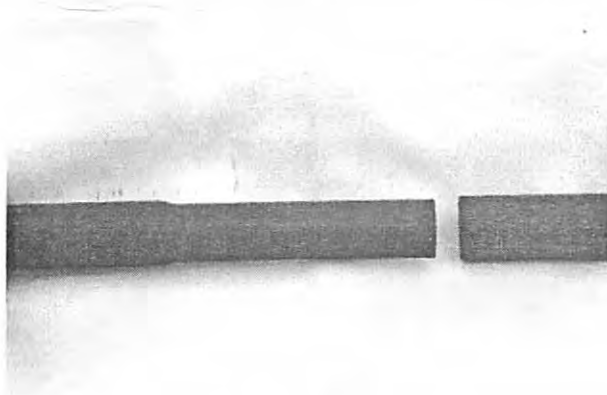


# Windbar for 3x3 mtr Pop Up Gazebo

Windbar is supplied in three sections.



Assemble Windbar by inserting each reduced end of middle section into open end section.



Simply clip each end onto the inside of gazebo frame.



For maximum rigidity position Windbar across centre of gazebo in same direction as wind.

